



应达利电子（深圳）有限公司

INTERQUIP ELECTRONICS (SHENZHEN) CO., LTD

Block D, Xu Fa Science and Technology Park, The Second industry District, Feng huang Village,
Fu Yong Town, Bao An District , Shenzhen, China

Tel:+86-755-33251781. Fax:+86-755-29128486. Postal code:518103

Web:www.interquip.com Email:iqlsz@interquip-china.com

Customer Approval Sheets

Product: Crystal Oscillator

Description: Temperature compenated Crystal Oscillator

IQG P/N: TC800-26.000-ARLKA

Ref No:

Approval Section:			
Date:			
Customer:		Attn:	
DEPT.	DEPT.	DEPT.	DEPT.

Customer Part Number

--	--	--	--	--	--	--	--	--	--	--	--	--	--	--	--

Prepared by:		Checked by:		Approved by:
孙晓明				
2014.11.20				



应达利电子（深圳）有限公司

INTERQUIP ELECTRONICS (SHENZHEN) CO., LTD

Rev	Revise	Revise contents	Date	Reviser
0	N/A	Initial released	2014.11.20	孙晓明



SPECIFICATION

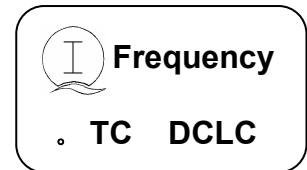
PART NUMBER: **TC800-26.000-ARLKA**

1 Scope

- 1.1 This is Analog Temperature Compensated Crystal Oscillator. It can be applied to electronic equipment, smart cell-phone and GPS. It is lead-free product and it can satisfy RoHs requirements.

2 Construction

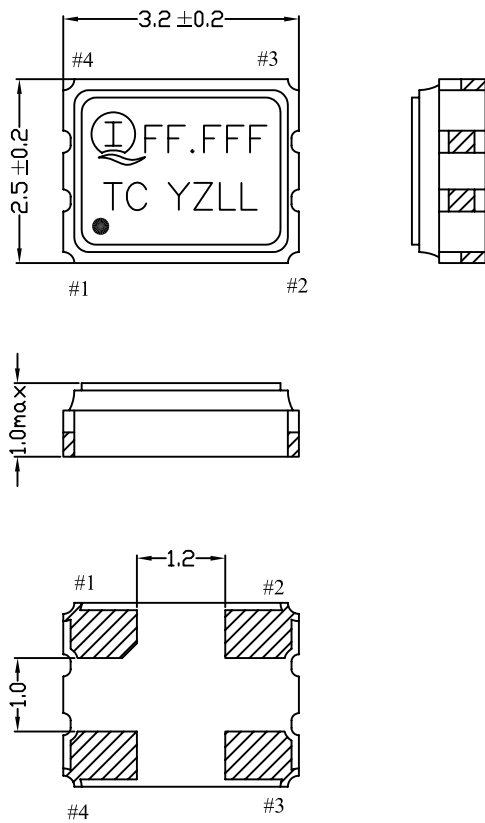
- 2.01 Type of Oscillators: **Temperature Compensated Crystal Oscillators**
 2.02 Dimension: **3.2mm*2.5mm*1.0mm SMD 4 pads**
 2.03 Marks: **Q+Frequency+TC+DateCode+LotCode**



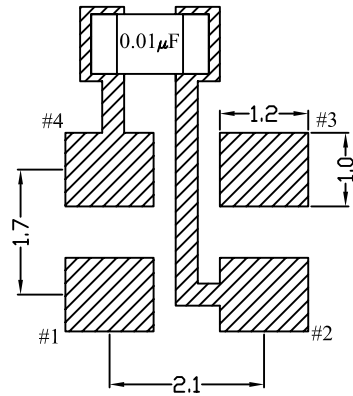
3 Electrical Characteristics

- | | | | |
|--|---|-----------|--------|
| 3.01 Nominal Frequency: | 26.000MHz | | |
| 3.02 Frequency Tolerance : | ±0.5ppm at 25°C ±2°C refer nominal Frequency | | |
| 3.03 Frequency Stability vs Temperature: | ±0.5ppm from -30°C to 85°C refer 25°C | | |
| 3.04 Frequency Stability vs Voltage: | ±0.2ppm VDD±5% | | |
| 3.05 Frequency Stability vs Load: | ±0.2ppm 10kΩ//10pF±10% | | |
| 3.06 Aging: | ±1ppm/year | | |
| 3.07 Operating Temperature Range: | -30°C to +85°C | | |
| 3.08 Storage Temperature Range: | -40°C to +85°C | | |
| 3.09 Power Supply Voltage (VDD): | 2.8Vdc±5% | | |
| 3.10 Current Consumption (IDD): | 2.5mA max | | |
| 3.11 Output Waveform: | Clipped Sine | | |
| 3.12 Output Symmetry: | 50±10% | | |
| 3.13 Output Level: | 0.8Vp-p min | | |
| 3.14 Output Load: | 10kΩ//10pF | | |
| 3.15 Start-up Time: | 3.0ms max | | |
| 3.16 Phase Noise: | -80dBc/Hz | at 10Hz | offset |
| | -110dBc/Hz | at 100Hz | offset |
| | -130dBc/Hz | at 1kHz | offset |
| | -138dBc/Hz | at 10kHz | offset |
| | -142dBc/Hz | at 100kHz | offset |

EXTERNAL DIMENSIONS



RECOMMENDED SOLDERING PATTERN



PIN	CONNECTION
#1	N.C
#2	GROUND
#3	OUTPUT
#4	VDD

MARKING SPECIFICATIONS

I — INTERQUIP company's logo
 FF.FFF — REPRESENT FREQUENCY (MHZ), THE SIGNIFICANT DIGIT IS RESERVED 3 DIGIT BEHIND DECIMAL POINT
 TC — REPRESENT TEMPERATURE COMPENSATED CRYSTAL OSCILLATOR

YZ — REPRESENT MONTH & YEAR CODE RESPECTIVELY
 " Y " :

MONTH	Jan	Feb	Mar	Apr.	May	Jun	Jul	Aug	Sep	Oct	Nov	Dec
MARK	A	B	C	D	E	F	G	H	J	K	L	M

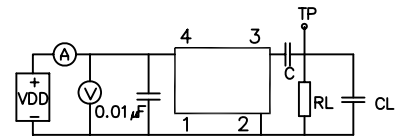
" Z " CODE IS THE LAST NUMBER OF PRODUCTION YEAR

FOR INSTANCE:

YEAR	2013	2014	2015	2016	2017	2018	2019
MARK	3	4	5	6	7	8	9

LL — REPRESENT LOT CODE (AA-ZZ)

SINE TEST CIRCUIT

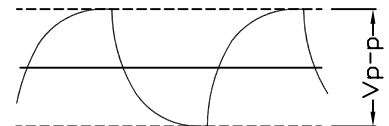


CL=10pF (including fixture and probe capacitances)

RL=10kOhm

C: FOR DC BLOCKING

TYPICAL CLIPPED SINE WAVE FORM



- NOTES: 1. DO NOT SCALE DRAWING
 2. ALL DIMENSIONS ARE IN MM



Interquip Electronics Co.,Ltd

DATE			MODIFY DESCRIPTION			BY			TITLE			DWN.		
									TCXO			M_Zhao		
									PART NO.			DATE		
									MODEL TC800 SERIES			2013.9.16		
									REMARK			CHKD		
												Jc_Xie		
									TOLERANCE			DATE		
									X.±0.3 X.X±0.15			2013.9.16		
									X.XX±0.05 ANGULAR±			APPD.		
												Xm_Sun		
												DATE		
												2013.9.16		
									DWG.NO. 004-06339-015			REV. 1		